

Series 45114

150# Flanged Cast Steel Globe Valve

SHARPE®

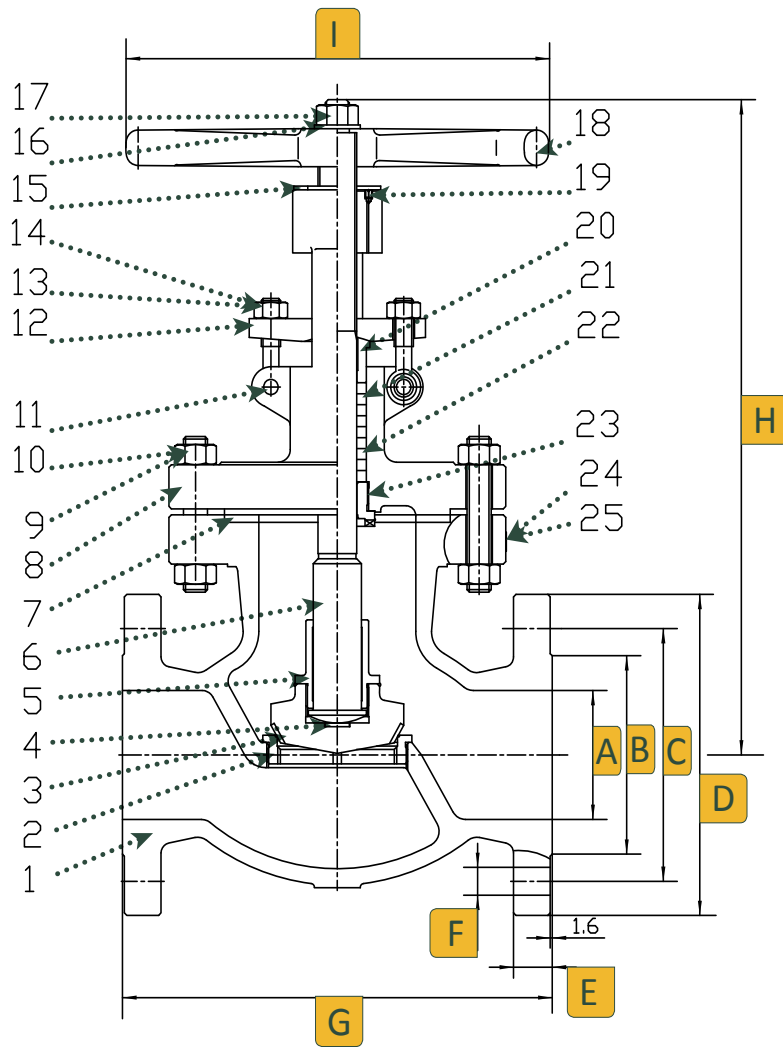
Valves, Automation & Controls

Features

- Outside screw and yoke
- Bolted bonnet
- Stem / Wedge Connection meets API 600 Pull Test
- Welded Seat
- Yoke Integrated with Bonnet
- Loose Disc
- Renewable Seat Rings
- Rising stem and non-rising hand-wheel
- Flanged ends
- Butt-weld ends
- Applicable Standards:
 - Steel valves ANSI B16.34
 - Face to face ANSI B16.10
 - End flanges ANSI B16.5
 - Butt-weld ends ANSI B16.25
 - Inspection and test API 598



2" - 6" Dimensions, Parts & Materials

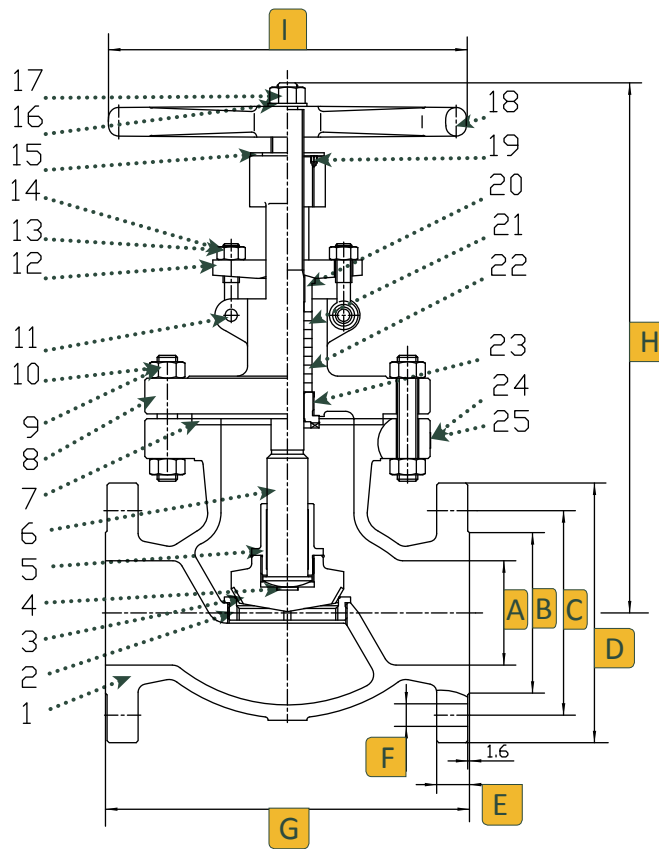


Dimensions (Inches)

Size	A	B	C	D	E	F	G	H	I	Num of Bolt Holes
2	2.01	3.62	4.76	6.00	0.62	0.75	8.00	13.43	7.87	4
2-1/2	2.52	4.13	5.51	7.00	0.68	0.75	8.50	14.45	9.84	4
3	2.99	5.00	6.00	7.50	0.75	0.75	9.50	14.76	9.84	4
4	4.02	6.18	7.50	9.00	0.94	0.75	11.50	19.02	11.81	8
6	6.00	8.50	9.50	11.00	1.00	0.875	16.00	20.35	13.78	8

No.	Part Name	Qty	Material
1	Body	1	Carbon Steel ASTM A216 - WCB
2	Seat	1	A105 & STL.6
3	Disc	1	A105 & 410 Stainless Steel
4	Thrust Plate	1	410 Stainless Steel
5	Disc Cover	1	410 Stainless Steel
6	Stem	1	A182 F6a
7	Gasket	1	304 Stainless Steel & Flexible Graphite
8	Bonnet	1	Carbon Steel ASTM A216 - WCB
9	Bolt	1	B7 Steel A193
10	Nut	1	2H Steel A194
11	Pin	1	Carbon Steel
12	Gland Flange	1	Carbon Steel
13	Eye Bolt	1	B7 Steel A193
14	Eye Nut	1	2H Steel A194
15	Stem Nut	1	D-2
16	Gasket	1	410 Stainless Steel
17	Nut	1	Carbon Steel
18	Hand-wheel	1	Ductile Iron
19	Screw	1	Carbon Steel
20	Gland	1	410 Stainless Steel
21	Packing	1	304 Stainless Steel & Graphite
22	Packing	1	Flexible Graphite
23	Back Seat	1	410 Stainless Steel
24	Rivet	1	304 Stainless Steel
25	Name Plate	1	304 Stainless Steel

8" - 16" Dimensions, Parts & Materials



Size	A	B	C	D	E	F	G	H	I	Num of Bolt Holes
8	8.00	10.62	11.75	13.50	1.12	0.875	19.50	23.20	15.75	8
10	10.00	12.75	14.25	16.00	1.18	1.00	24.50	29.70	17.72	12
12	12.00	15.00	17.00	19.00	1.25	1.00	27.50	37.10	19.70	12
14	14.00	16.25	18.75	21.00	1.37	1.125	31.00	37.40	22.00	12
16	16.00	18.50	21.25	23.50	1.44	1.125	36.00	38.00	25.20	16

No.	Part Name	Qty	Material
1	Body	1	Carbon Steel ASTM A216 - WCB
2	Seat	1	A105 & STL.6
3	Disc	1	A105 & 410 Stainless Steel
4	Disc Cover	1	410 Stainless Steel
5	Stem	1	A182 F6a
6	Gasket	1	304 Stainless Steel & Flexible Graphite
7	Bonnet	1	Carbon Steel ASTM A216 - WCB
8	Bolt	1	B7 Steel A193
9	Nut	1	2H Steel A194
10	Pin	1	Carbon Steel
11	Gland Flange	1	Carbon Steel
12	Eye Bolt	1	B7 Steel A193
13	Eye Nut	1	2H Steel A194
14	Stem Nut	1	D-2
15	Gasket	1	410 Stainless Steel
16	Nut	1	Carbon Steel
17	Hand-wheel	1	Ductile Iron
18	Screw	1	Carbon Steel
19	Gland	1	410 Stainless Steel
20	Packing	1	304 Stainless Steel & Graphite
21	Packing	1	Flexible Graphite
22	Back Seat	1	410 Stainless Steel
23	Rivet	1	304 Stainless Steel
24	Name Plate	1	304 Stainless Steel

Shell Test Water psi	Seat Test Water psi	Seat Test Air psi
450	314	80

Temperature °F	Working Pressure psi
-20 to 100	285
200	260
300	230
400	200
500	170
600	140
650	125
700	110
750	95
800	80
850	85
900	50
950	35
1000	20

Ordering

Fig: 8 - 45 - 1 - 1 - 4
Description: 8" - Series 45 - 150# Flange Ends - Carbon Steel

Size	Series	Class		Ends		Body Material		Options	
2	45	1	150	1	Flange	4	Carbon Steel	X	Oxygen Service
2-1/2				2	Butt-weld			SF	Silicon Free
3								RTJ	Ring Type Joint Flange
4									
6									
8									
10									
12									
14									
16									

Due to continuous development of our product range, we reserve the right to change the dimensions and information for this product as required.