

Series 45316

300# Flanged Stainless Steel Globe Valve



Valves, Automation & Controls

Features

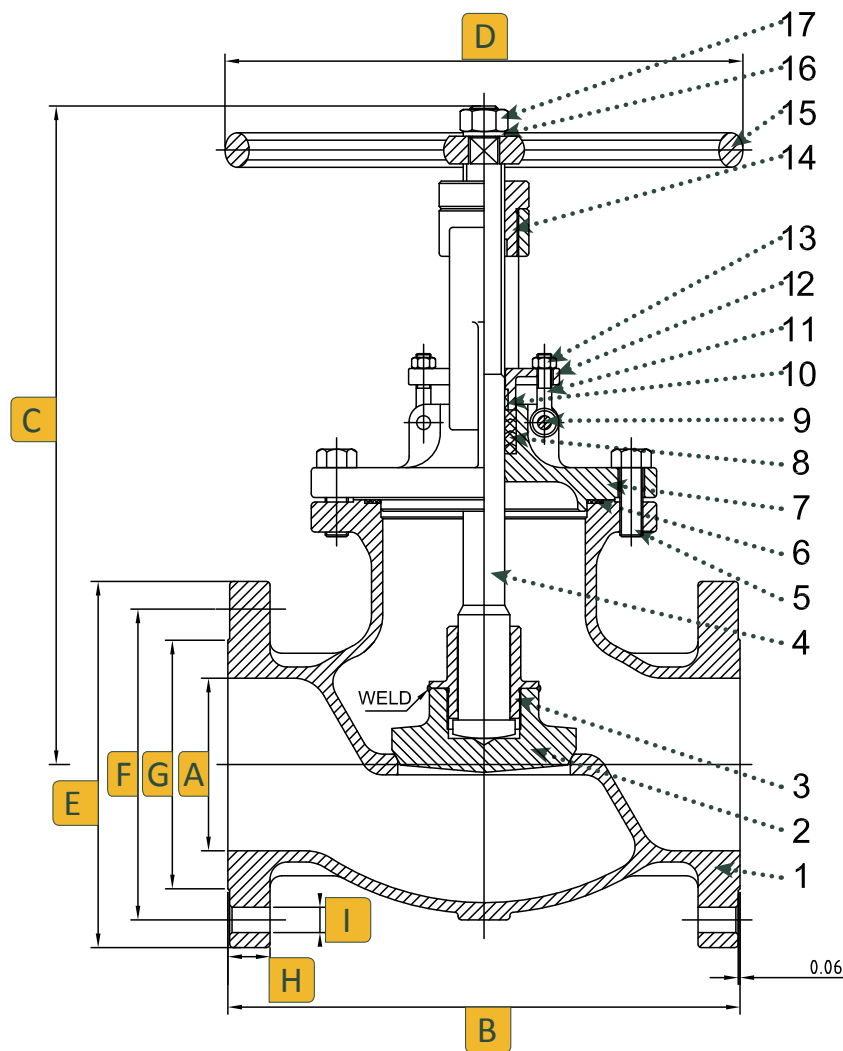
- Outside screw and yoke
- Bolted bonnet
- Stem / Wedge Connection meets API 600 Pull Test
- Welded Seat
- Yoke Integrated with Bonnet
- Loose Disc
- Renewable Seat Rings
- Rising stem and non-rising hand-wheel
- Flanged ends
- Butt-weld ends
- Applicable Standards:
 - Steel valves ANSI B16.34
 - Face to face ANSI B16.10
 - End flanges ANSI B16.5
 - Butt-weld ends ANSI B16.25
 - Inspection and test API 598



1/2" - 6" Dimensions, Parts & Materials

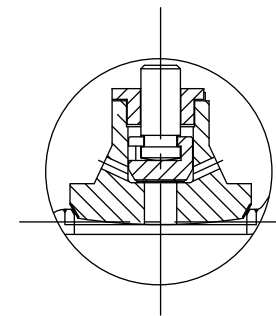
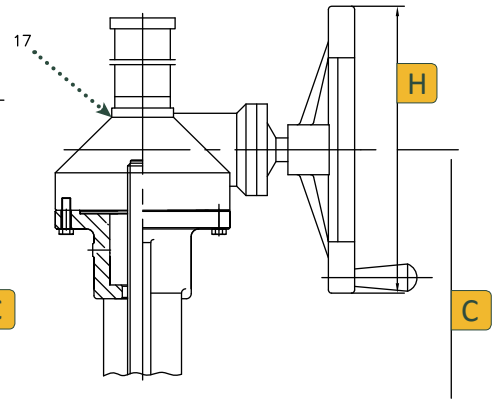
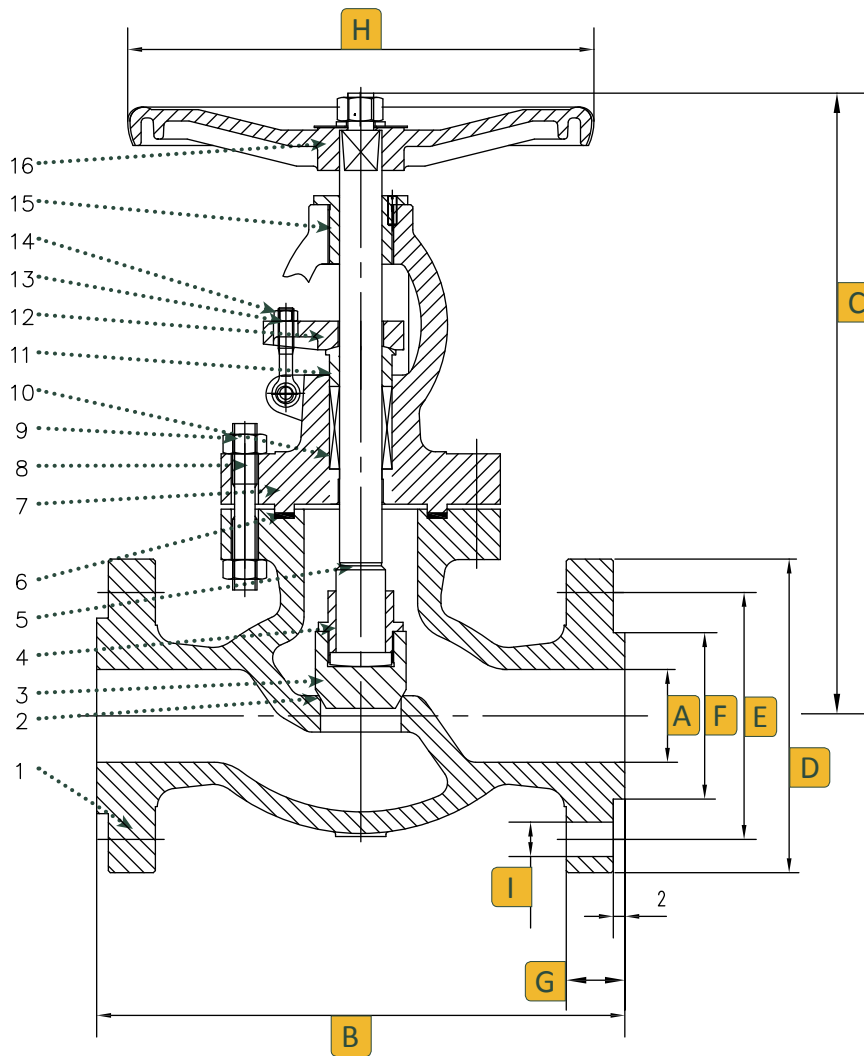
SHARPE - SERIES 45316 | 300# Flanged Stainless Steel Globe Valve

Toll Free (877) 774-2773 | Local (708) 562-9221 | Fax (708) 562-0890 | www.sharpevalves.com



Size	A	B	C	D	E	F	G	H	I	Num of Bolt Holes
1/2	0.59	5.98	9.06	5.51	3.74	2.62	1.38	0.56	0.62	4
3/4	0.79	7.00	9.06	5.51	4.62	3.25	1.69	0.62	0.75	4
1	0.98	7.99	9.06	5.51	4.88	3.50	2.01	0.69	0.75	4
1-1/2	1.57	9.02	12.91	9.84	6.12	4.51	2.88	0.81	0.875	4
2	1.97	10.51	14.88	9.84	6.50	5.00	3.62	0.88	0.75	8
2-1/2	2.56	11.49	16.18	11.81	7.50	5.88	4.12	1.00	0.875	8
3	3.15	12.52	16.77	11.81	8.25	6.62	5.00	1.12	0.875	8
4	3.94	14.02	20.47	11.81	10.00	7.88	6.19	1.25	0.875	8
6	5.91	17.48	26.26	17.72	12.50	10.62	8.50	1.44	0.875	12

No.	Part Name	Qty	Material
1	Body	1	316 Stainless Steel ASTM A351 CF8M
2	Disc	1	316 Stainless Steel ASTM A351 CF8M
3	Seat Ring	1	316 Stainless Steel ASTM A351 CF8M
4	Stem	1	316 Stainless Steel
5	Bonnet Bolt	1	304 Stainless Steel
6	Gasket	1	304 Stainless Steel & Graphite
7	Bonnet	1	316 Stainless Steel
8	Gland Packing	1	PTFE
9	Pin	1	304 Stainless Steel
10	Gland Sleeve	1	PTFE
11	Eye Bolt	1	304 Stainless Steel
12	Gland	1	316 Stainless Steel
13	Nut	1	304 Stainless Steel
14	Yoke Sleeve	1	Brass
15	Hand-wheel	1	Ductile Iron
16	Washer	1	304 Stainless Steel
17	Nut	1	304 Stainless Steel



NPS 10 & OVER
Completed with double disc

Dimensions (Inches)

Size	A	B	C	D	E	F	G	H	I	Num of Bolt Holes
8	7.87	22.01	32.64	19.68	15.00	13.00	10.62	1.62	1.00	12
10	10.00	24.50	36.61	23.62	17.50	15.25	12.76	1.88	1.125	16
12	12.01	28.00	32.83	18.11	20.50	17.75	15.00	2.00	1.25	16
14	13.27	33.00	36.77	18.11	23.00	20.25	16.26	2.12	1.25	20
16	15.24	34.00	45.28	18.11	25.50	22.50	18.50	2.25	1.375	20

No.	Part Name	Material
1	Body	316 Stainless Steel ASTM A351 CF8M
2	Seal Facing	316 Stainless Steel
3	Disc	316 Stainless Steel ASTM A351 CF8M
4	Disc Nut	316 Stainless Steel
5	Stem	316 Stainless Steel
6	Gasket	316 Stainless Steel & Graphite
7	Bonnet	316 Stainless Steel
8	Bonnet Bolt	B8 Stainless Steel
9	Bonnet Nut	Grade 8 Nut
10	Stem Packing	Graphite
11	Gland	316 Stainless Steel
12	Gland Flange	316 Stainless Steel
13	Gland Eyebolt	B8 Stainless Steel
14	Gland Nut	Grade 8 Nut
15	Stem Nut	Steel
16	Hand Wheel	Ductile Iron
17	Gear Box	Ductile Iron

Shell Test Water psi	Seat Test Water psi	Seat Test Air psi
1125	814	80

Temperature °F	Working Pressure psi
-20 to 100	720
200	620
300	560
400	515
500	480
600	450
650	445
700	430
750	425
800	420
850	420
900	415
950	385
1000	350

Ordering

Fig: 8 - 45 - 3 - 1 - 6

Description: 8" - Series 45 - 300# Flange Ends - Stainless Steel

Size	Series	Class	Ends	Body Material	Options
2	45	3 300	1 Flange	6 316 Stainless Steel	X Oxygen Service SF Silicon Free RTJ Ring Type Joint Flange
2-1/2			2 Butt-weld		
3					
4					
6					
8					
10					
12					
14					
16					